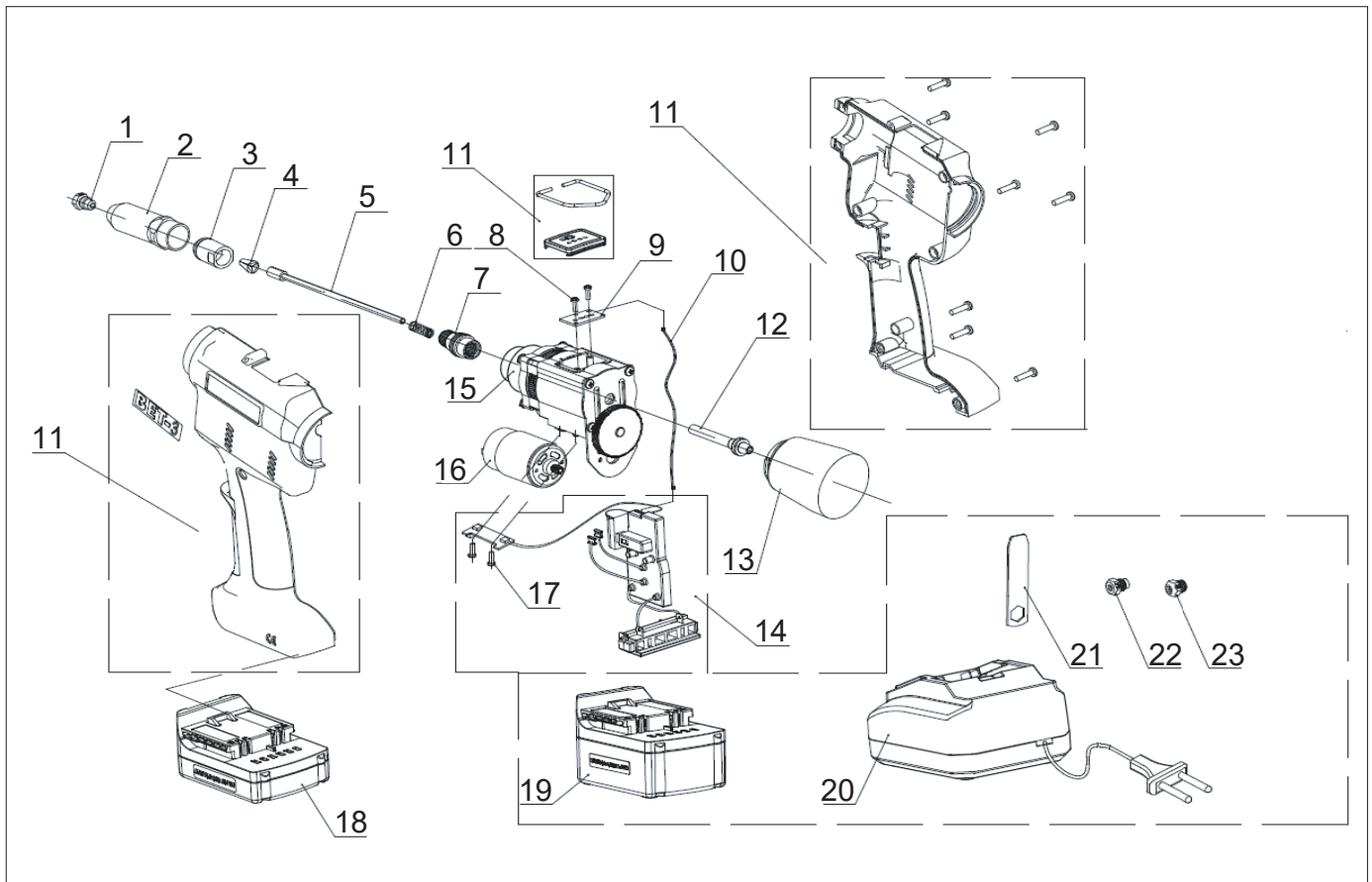


BREAKDOWN BET-3



NOSEPIECE N°	ALU/STEEL ALU/INOX	ALU/ALU	STEEL	INOX	COPPER	S-TREBOL
DL	d1	d1	d1	d1	d1	d1 7,7
L						5,2
Q						6,4

N°	REFERENCE	DESCRIPTION
1	05BET300001	Nosepiece DL S-trebol rivets Ø7,7
2	05BET000002	Nosecap BET-2
3	05BET000003	Jaw case BET-2
4	05BET200004	Jaws set BET-2 (3 units)
5	05BET300005	Mandrel guide
6	05BET000006	Jaw spring
7	05BET100007	Jaw case cap
8	05BET000008	Screws (2 units) Life battery indicator
9	05BET000009	Life battery indicator
10	05BET000010	Life indicator cable
11	05BET300011	Body group
12	05BET200012	Mandrel ejector
13	05BET000013	Mandrel catcher
14	05BET200014N	Group PCB
15	05BET300015	Gears box
16	05BET100016	Electrical motor
17	05BET000017	Motor screws (2 units)
18	05BET100018F	Battery 4 cells Li-Ion 14,4 V
19	05BET100019F	Battery 8 cells Li-Ion 14,4 V*
20	05BET000020	Charger STD/UK/MX
21	05BET000021	Spanner
22	05BET300022	Nosepiece L S-trebol rivets Ø5,2
23	05BET300023	Nosepiece Q S-trebol rivets Ø6,4

OPTIONAL

* The battery 8 cells Li-Ion 14,4 V is supplied as optional battery.

