

Part No. 99-0022:N

# RL 40N

Hydropneumatic tool for installation of blind rivets from 4 to 6.4 mm

## Scope of use:

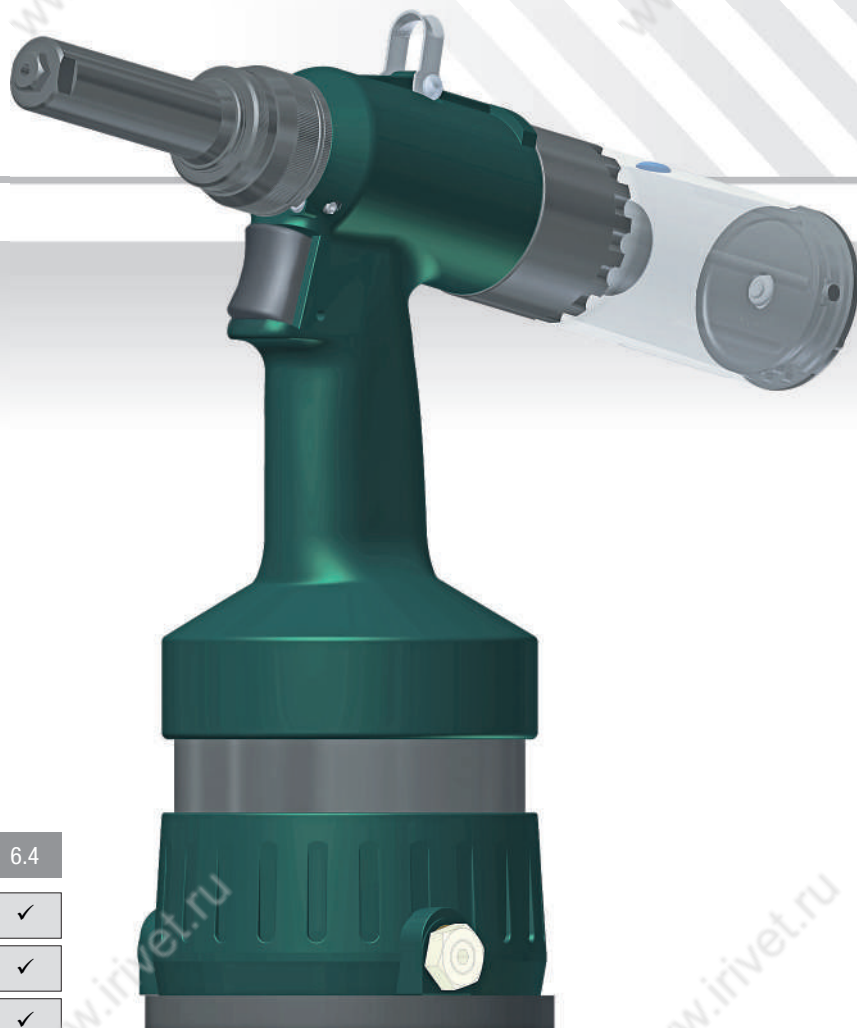
Ø of the rivet	2.4	3 / 3.2	4	4.8 / 5	6	6.4
Aluminium, Copper, Brass			✓	✓	✓	✓
Steel			✓	✓	✓	✓
Stainless			✓	✓	✓	✓

Nosepieces included:

		✓	✓	✓	✓
--	--	---	---	---	---

## Technical parameters:

Model	RL 40N
Pulling Force	14.7 kN / 6 bar
Working Stroke	14 mm
Weight	2 kg
Force / Weight Ratio	7.35 kN/kg
Height	283 mm
Length	317 mm
Air Consumption	2 litres / rivet
Air Consumption / min	70 litres / min
Working Air Pressure	5–7 bar
Hose Connection	Ø 6 mm (G 1/4")



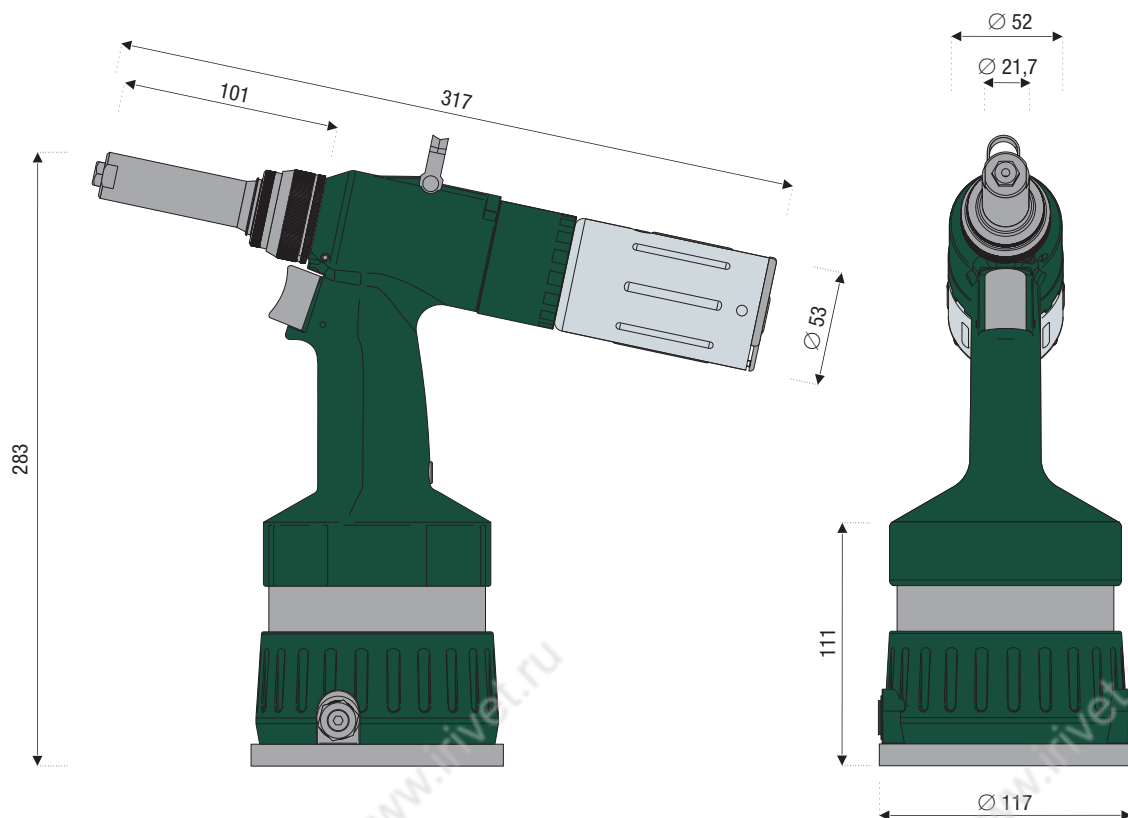
## Description:

- quick-release collecting container
- quick release nose and pulling head
- robust construction
- smoothly adjusting vacuum control
- high output at small dimensions
- low noise
- simple operation and low maintenance
- ergonomic handle is comfortable to hold
- low transferred vibrations
- rotating air joint connection
- air intake can be moved to suit either left or right handed operator
- balancer hook
- spare nosepieces on the bottom of the tool
- safety mechanism prevents mandrels ejection when collecting container is removed
- safety over-pressure dump valve
- reliability verified in practice
- non slip base
- base cover prevents damage to workpiece



Dimensions of tool:

# RL 40N



## Standard accessories:

Description	Part No.
Nosepiece 4	87-0018
Nosepiece 4.8/5	87-0019
Nosepiece 6	87-0020
Nosepiece 6.4	87-0021
Jaws (3-piece)	87-0052
Mandrel Collector	87-0495
Air Joint Assembly	87-0281
Oil Refill Set	87-0187

## Optional accessories:

Description	Part No.
Ring Sensor	99-0124
Hydraulic Oil - 1 Litre	87-0188

# RIVETEC

TITGEMEYER Group

© 2015 RIVETEC s.r.o. | U Vodárny 1506/1 / B22, CZ 397 01 Písek

Technický list RL40N RIVETEC E150701