

RIV760 14.4 V battery riveting tool up to Ø 6.4

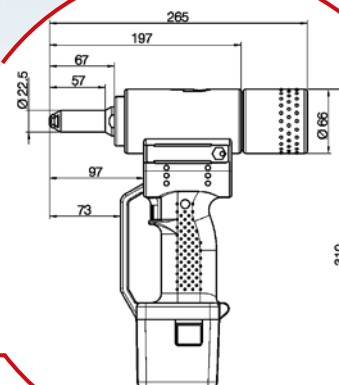


LITHIUM BATTERY

Code 1678700

To place standard and structural steel rivets **MAGNARIV** and **LOCKRIV** from Ø 6.0 to Ø 6.4 mm and extralong **FIORIV** for roofing Ø 4.8-6.4.

The discharge of the mandrel is made through action of gravity, either forwards through the nosepiece or backwards into the mandrel container.



Spare parts

Picture	Description	Ah	Code
	Lithium battery 14.4 V	2.6	42077RT
	Universal battery charger	-	42075RT

Optional

Description	Blind rivet Ø	Code
Retention nosepiece	3.4-4.0-4.8	1079800
Retention nosepiece	6.0 (all alloys)	2237400
Cone w/universal nosepiece	2.4-3.2-4.0-4.8	1050700
200 mm extension	-	4395700
Jaws (3 pcs series)	4.8-6.0-6.4	2309400



Retention nosepiece

It firmly holds the blind rivet by a lateral ball.



Kit universal nosepiece

Thanks to the rotation you can choose Ø 2.4÷3.2÷4.0÷4.8.



Extension

200 mm extension kit.



Jaws

3 pcs series.

RIV760 is supplied in a metallic case with a lithium battery of 2.6 Ah and a battery charger.

Technical data and features

Operating voltage	14.4 V
Stroke	20 mm
Battery charger	200 W - 50 Hz
Tensile strength	13000 N
Weight (with battery)	2.235 Kg

N° of blind rivets you can place (with one charge)

Rivet Ø	Material	Rivets/battery
4.8	Aluminium	700
4.8	Steel	500
4.8	Stainless steel	400
6.0	Aluminium	400
6.0	Steel	220
6.4	Aluminium	300
6.4	Steel	180

