

PH AXIAL

Hydro-pneumatic blind rivet setting tool

No. 145 8063

TECHNICAL DATA

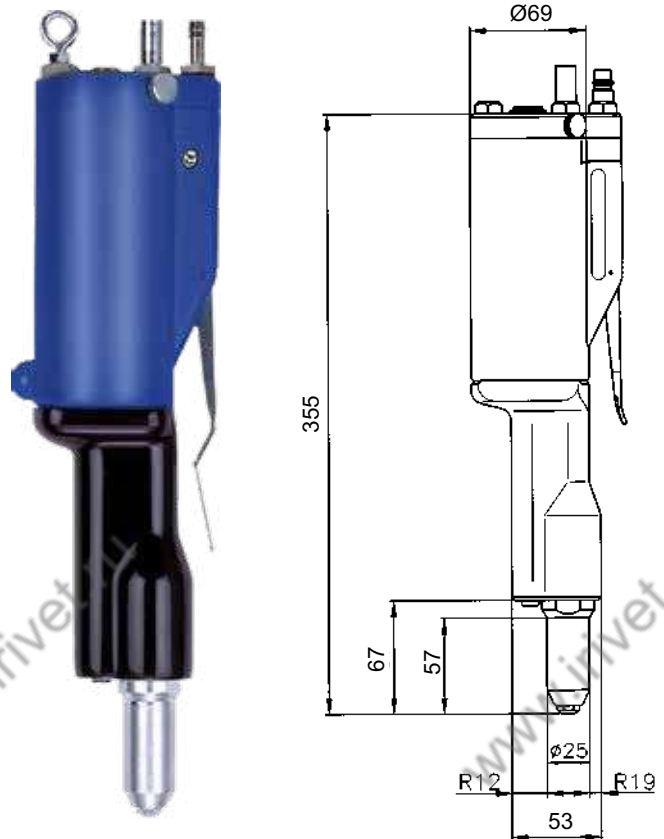
Weight:	1.8 kg
Operating air pressure:	5 - 7 bar
Air hose connection:	6 mm Ø (1/4")
Air consumption:	1.2-1.8 ltr. per rivet (0.3 ltr. compr. air)
Traction power:	8,800 N at 6 bar
Stroke:	15 mm

WORKING RANGE

Blind rivets from 4 up to 5 mm Ø steel and 2.4 up to 3.2 mm Ø with small jaw assembly (page 132).

SCOPE OF DELIVERY

Nosepieces: 16/24, 16/27, 16/29 and 16/32
Jaw pusher with reducing tube no.125 for 4 mm Ø blind rivets in alu and copper
Ejection tube with socket for spent mandrels
Maintenance instructions and spare parts list



Dimensions in mm

JAWS (3 PARTS) for PH Axial

No. 143 4103

ADVANTAGES

- Pneumatic cylinder and hydraulic head with jaw mechanism arranged axially behind each other: simple and easy handling when used vertically (e.g. desktop assembly points)
- Integrated blind rivet suction and rivet mandrel ejection system: does not need to be retrofitted, secure disposal of the spent mandrels in a central container via a hose
- Hydraulic head in aluminium with wear-proof cylinder surface
- Pneumatic cylinder made of die cast aluminium
- Working piston made of hardened and hard chromium plated steel make the device easy to handle and wear-proof
- Compact seals are wear-proof with large scraper effect, long service life
- Fast venting system: faster return; high work sequence
- Low-noise pneumatic switching
- Simple valve structure: interruption free