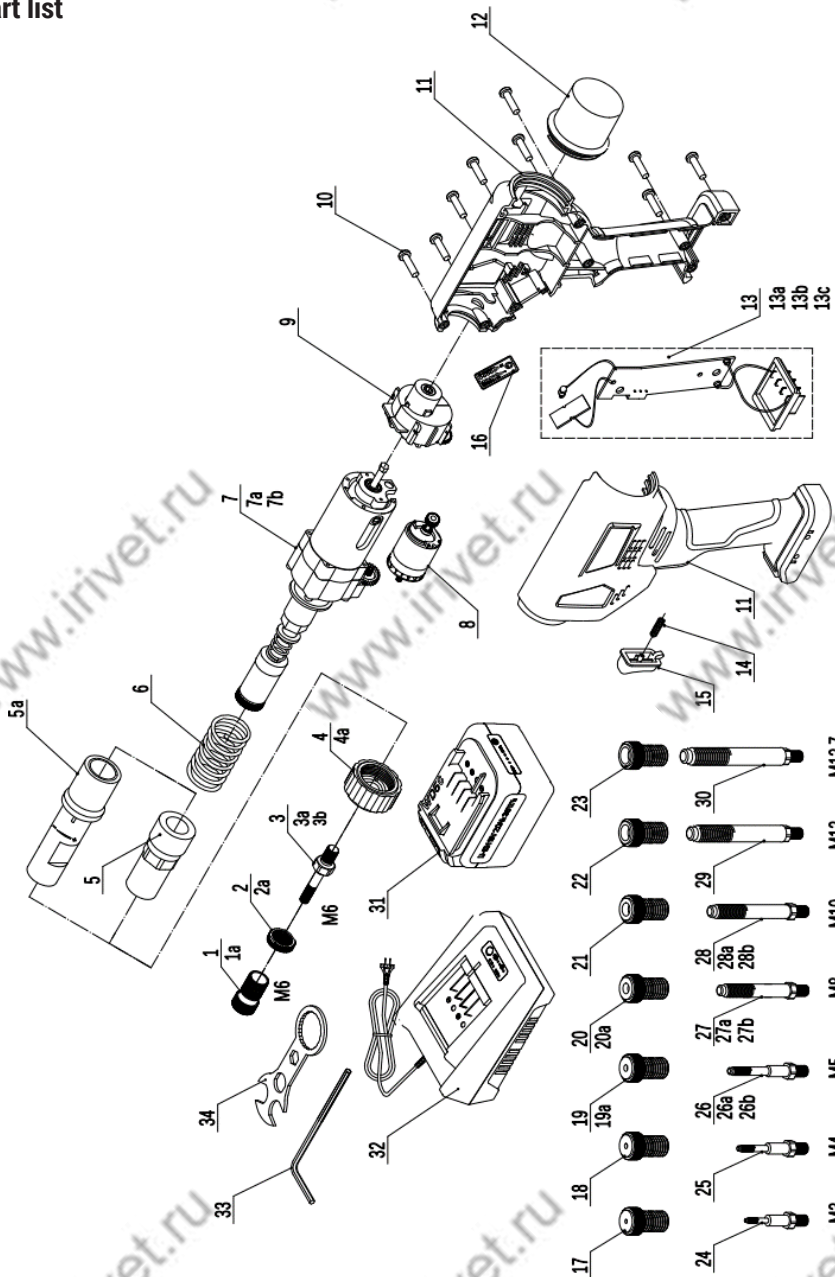


Part list



## 1.4 Tool Parts list of the GO-RN series (see Fig. B)

\*Please note that the shaded parts in the list are wear parts, serial numbers 8, 9, 13 are structural parts, serial numbers a, b and are their own exclusive parts for tools, and the rest are general parts.

### List of common parts: GO-RN1, GO-RN2, GO-SN1

NO	Standard Code	Parts description	Qty.	NO	Standard Code	Parts description	Qty.
6		Spring	1	15		Trigger	1
9		Gearbox	1	16		Control unit	1
10		Tool body screw	9	31		Battery Li-Ion 18V 2.0 Ah	1
11		Tool Body GO-RN	1	32		Battery Charger Set	1
12		Back Cover	1	33		Allen key	1
14		Trigger spring	1	34		Wrench	1

### GO-RN1 Parts List

NO	Standard Code	Parts description	Qty.	NO	Standard Code	Parts description	Qty.
1		Nosepiece M6	1	17		Nosepiece M3	1
2		Counter nut	1	18		Nosepiece M4	1
3		Mandrel M6	1	19		Nosepiece M5	1
4		Schraubkappe	1	20		Nosepiece M8	1
5		Anvil pedestal assembly	1	24		Mandrel M3	1
7		Gearbox	1	25		Mandrel M4	1
8		Brushless motor	1	26		Mandrel M5	1
13c		PCB Set	1	27		Mandrel M8	1

### GO-RN2 Parts List

NO	Standard Code	Parts description	Qty.	NO	Standard Code	Parts description	Qty.
1a		Nosepiece M6	1	20a		Nosepiece M8	1
2a		Counter Nut	1	21		Nosepiece M10	1
3a		Mandrel M6	1	22		Nosepiece M12	1
4a		Screw cap	1	26a		Mandrel M5	1
5a		Anvil pedestal assembly	1	27a		Mandrel M8	1
7b		Gearbox	1	28a		Mandrel M10	1
8b		Brushless motor	1	29		Mandrel M12	1
13b		PCB Set	1				
19a		Nosepiece M5	1				

### GO-RN2 Parts List

NO	Standard Code	Parts description	Qty.	NO	Standard Code	Parts description	Qty.
1a		Nosepiece M6	1	13b		PCB-Set	1
2a		Counter Nut	1	19a		Nosepiece M5	1
3b		Mandrel M6	1	20a		Nosepiece M8	1
4a		Screw Cap	1	21		Nosepiece M10	1
5a		Anvil pedestal assembly	1	26b		Mandrel M5	1
7a		Gearbox	1	27b		Mandrel M8	1
8a		Brushless Motor	1	28b		Mandrel M10	1